



Kinematics Manufacturing

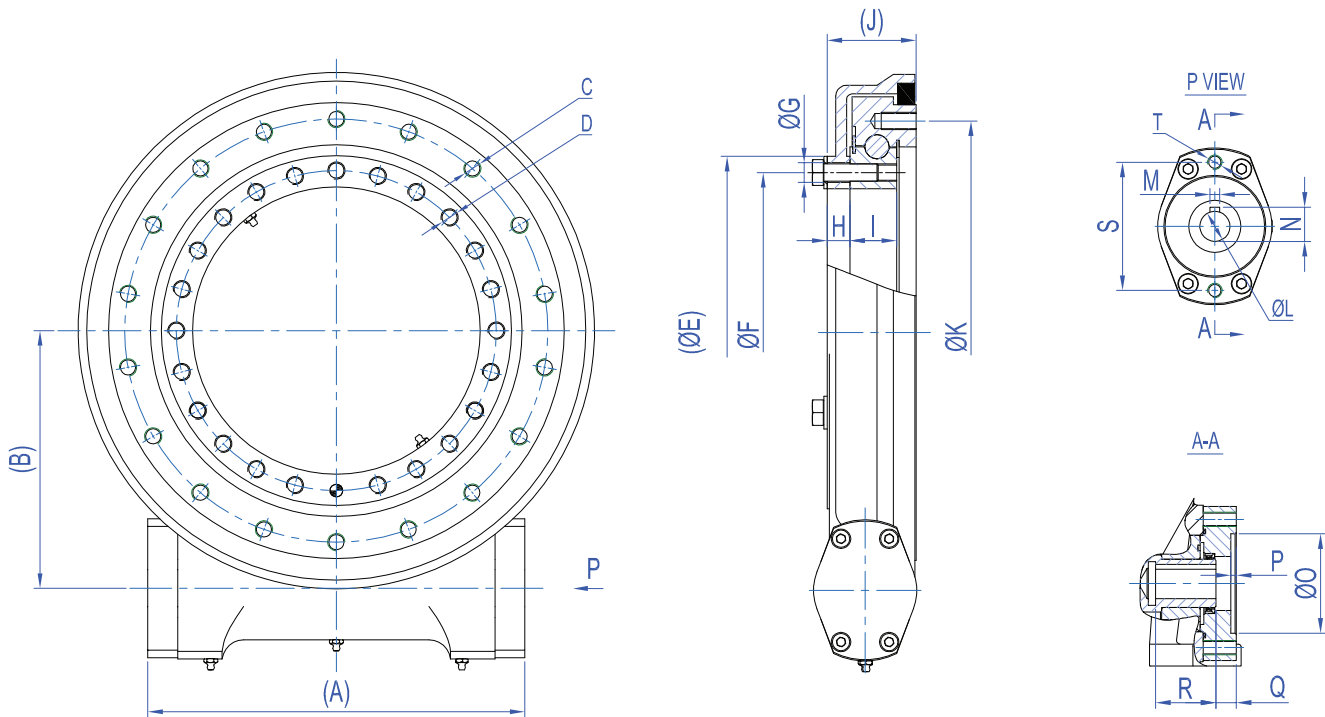
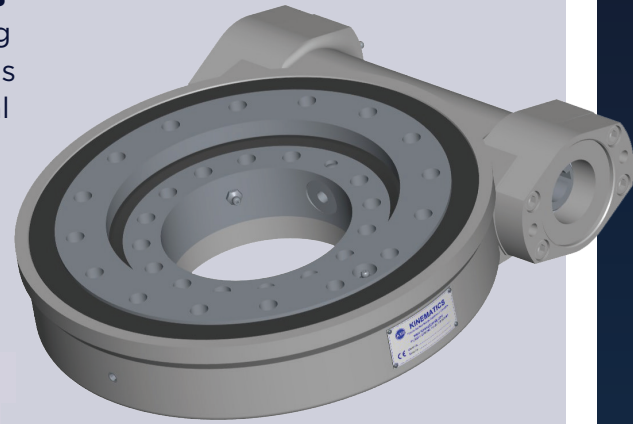
Kinematics Delivers Innovation

Single Axis Lo-Pro LP Series

NEW
Kinematics
LO-PRO
SERIES

The brand new **Kinematics LP Lo-Pro series** slewing drives were designed with one thing in mind: Reduction! Its low profile design has significantly reduced the amount of material over 10% compared to our standard SE or

KE series slewing drives. This means more savings for our customers whether its reducing manufacturing costs, reducing overall weight to aid OEMs in their efforts to reach their GVW goals, or reducing shipping costs thanks to lower weights. The KMI Lo-Pro design is currently available in three sizes.



Mounting Dimension Sheet

TYPE		A	B	C	D	E	F	G	H	I	J	K	L	M	N	O	P	Q	R	S	T
LP9	mm	332	174.1	16xM16 EQS	15xM16 Based on 16 EQS	204.0	175	18	21	44	82	270	25	8	28.3	82.5	4.5	21	45	106.4	2xM12 DP. 27.5
	inch	13.07	6.85			8.03	6.89	0.71	0.83	1.73	3.23	10.63	0.98	0.31	1.11	3.25	0.18	0.83	1.77	4.19	
LP14	mm	348	337.6	18xM16 EQS	23xM16 Based on 24 EQS	325	295	18	21	43	82	390	25	8	28.3	82.5	4.5	21	45	106.4	2xM12 DP. 27.5
	inch	13.68	13.29			12.80	11.61	0.71	0.83	1.69	3.23	15.35	0.98	0.31	1.11	3.25	0.18	0.83	1.77	4.19	
LP17	mm	405	280.4	20xM16 EQS	20xM16 Based on 20 EQS	406	365.1	18	21	48	82	479.4	25	8	28.3	82.5	4.5	21	45	106.4	2xM12 DP. 27.5
	inch	15.94	11.04			15.98	14.37	0.71	0.83	1.89	3.23	18.87	0.98	0.31	1.11	3.25	0.18	0.83	1.77	4.19	