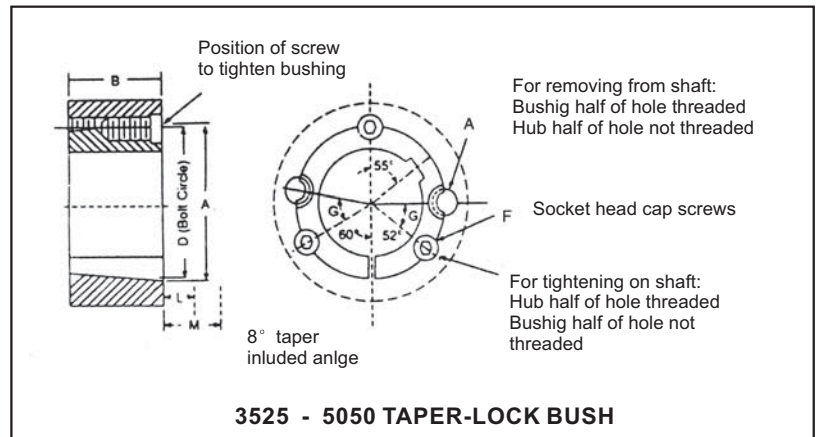
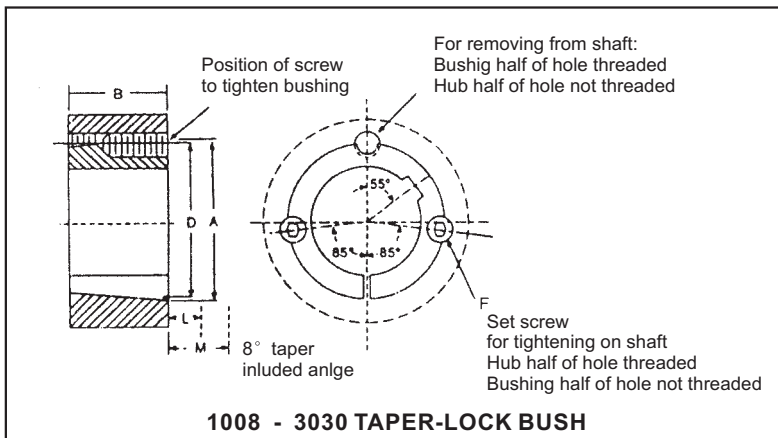


# Taper Bushings

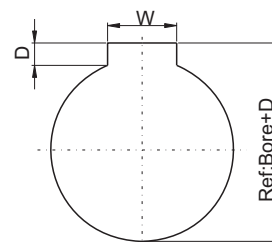


**Dimensions for 1008 thru 3030 TAPER Bushings**

**Dimensions for 3525 thru 5050 TAPER Bushings**

Bush.No.	A	B	D	Set Screws
1008	1.386	7/8	121/64	1/4x1/2
1108	1.511	7/8	129/64	1/4x1/2
1210	17/8	1	13/4	3/8x5/8
1215	17/8	1 1/2	13/4	3/8x5/8
1310	2	1	17/8	3/8x5/8
1610	2 1/4	1	2 1/8	3/8x5/8
1615	2 1/4	1 1/2	2 1/8	3/8x5/8
2012	2 3/4	1 1/4	2 5/8	7/16x7/8
2017	2 3/4	1 3/4	2 5/8	7/16x7/8
2517	3 3/8	1 3/4	3 1/4	1/2x1
2525	3 3/8	2 1/2	3 1/4	1/2x1
3020	4 1/4	2	4	5/8x1 1/4
3030	4 1/4	3	4	5/8x1 1/4

Bush.No.	A	B	D	Socket Head Cap Screws	G
3535	5	3 1/2	4.83	1/2x1 1/2	40
4040	5 3/4	4	5.54	5/8x1 3/4	40
4545	6 3/8	4 1/2	6.13	3/4x2	40
5050	7	5	6.72	7/8x2 1/4	37



**ISO STANDARD METHOD FOR MEASURING KEYSEAT DEPTH**  
D: depth measured at centering

MM Bore Key way dimensions conform to ISO standard

## CLOSE GRAIN CAST IRON

Taper bushings made of steel or stainless steel are available as made to order.

# Taper Bushing Keyway

## TAPER BUSHING KEYWAY

DIN 6885  
JIS B 1301-1976  
UNI 6604-1969  
GB 1095-1979

Bush. No.	Bore	Bushing Keyway	Bush. No.	Bore	Bushing Keyway	Bush. No.	Bore	Bushing Keyway	Bush. No.	Bore	Bushing Keyway	Bush. No.	Bore	Bushing Keyway	Bush. No.	Bore	Bushing Keyway		
1008	10	3×1.40	1610	14	5×2.30	2517	20	6×2.80	3020	25	8×3.30	3535	35	10×3.30	4545	55	16×4.30		
	11	4×1.80		16	5×2.30		22	6×2.80		28	8×3.30		38	10×3.30		60	18×4.40		
	12	4×1.80		18	6×2.80		24	8×3.30		30	10×3.30		40	12×3.30		65	18×4.40		
	14	5×2.30		19	6×2.80		25	8×3.30		32	10×3.30		42	12×3.30		70	20×4.90		
	16	5×2.30		20	6×2.80		28	8×3.30		35	10×3.30		45	14×3.80		75	20×4.90		
	18	6×2.80		22	6×2.80		30	8×3.30		38	10×3.30		48	14×3.80		80	22×5.40		
	19	6×2.80		24	8×3.30		32	10×3.30		40	12×3.30		50	14×3.80		85	22×5.40		
	20	6×2.80		25	8×3.30		35	10×3.30		42	12×3.30		55	16×4.30		90	25×5.40		
	22	6×2.80		28	8×3.30		38	10×3.30		45	14×3.80		60	18×4.40		95	25×5.40		
	24	8×2.00		30	8×3.30		40	12×3.30		48	14×3.80		65	18×4.40		100	28×6.40		
	25	8×1.30		32	10×3.30		42	12×2.20		50	16×4.30		70	20×4.90		105	28×6.40		
1108	10	3×1.40	1615	14	5×2.30	2525	20	6×2.80	3030	25	8×3.30	4040	40	12×3.30	5050	60	18×4.40		
	11	4×1.80		16	5×2.30		22	6×2.80		28	8×3.30		30	10×3.30		42	12×3.30	65	18×4.40
	12	4×1.80		18	6×2.80		24	8×3.30		32	10×3.30		35	10×3.30		45	14×3.80	70	20×4.90
	14	5×2.30		19	6×2.80		25	8×3.30		38	10×3.30		48	14×3.80		75	20×4.90	80	22×5.40
	16	5×2.30		20	6×2.80		28	8×3.30		40	12×3.30		50	14×3.80		85	22×5.40	90	25×5.40
	18	6×2.80		22	6×2.80		30	8×3.30		42	12×3.30		55	16×4.30		95	25×5.40	95	25×5.40
	19	6×2.80		24	8×3.30		32	10×3.30		45	14×3.80		60	18×4.40		100	28×6.40	105	28×6.40
	20	6×2.80		25	8×3.30		35	10×3.30		48	14×3.80		65	18×4.40		110	28×6.40	110	28×6.40
	22	6×2.80		28	8×3.30		38	10×3.30		50	16×4.30		70	20×4.90		115	32×7.40	115	32×7.40
	24	8×3.30		40	12×3.30		42	12×2.20		55	16×4.30		75	20×4.90		120	32×7.40	120	32×7.40
	25	8×3.30		44	12×3.30		45	14×3.80		60	18×4.40		80	22×5.40		125	32×7.40	125	32×7.40
1210	11	4×1.80	2012	18	6×2.80	2517	20	6×2.80	3020	25	8×3.30	3535	40	12×3.30	4545	60	18×4.40		
	12	4×1.80		19	6×2.80		22	6×2.80		28	8×3.30		30	10×3.30		42	12×3.30	65	18×4.40
	14	5×2.30		20	6×2.80		24	8×3.30		32	10×3.30		35	10×3.30		45	14×3.80	70	20×4.90
	16	5×2.30		22	6×2.80		25	8×3.30		38	10×3.30		48	14×3.80		75	20×4.90	80	22×5.40
	18	6×2.80		24	8×3.30		28	8×3.30		40	12×3.30		50	14×3.80		85	22×5.40	90	25×5.40
	19	6×2.80		25	8×3.30		30	8×3.30		42	12×3.30		55	16×4.30		95	25×5.40	95	25×5.40
	20	6×2.80		28	8×3.30		32	10×3.30		45	14×3.80		60	18×4.40		100	28×6.40	100	28×6.40
	22	6×2.80		30	8×3.30		35	10×3.30		48	14×3.80		65	18×4.40		105	28×6.40	105	28×6.40
	24	8×3.30		38	10×3.30		40	12×3.30		50	16×4.30		70	20×4.90		110	28×6.40	110	28×6.40
	25	8×3.30		40	12×3.30		42	12×2.20		55	16×4.30		75	20×4.90		115	32×7.40	115	32×7.40
	30	10×3.30		44	12×3.30		45	14×3.80		60	18×4.40		80	22×5.40		120	32×7.40	120	32×7.40
1215	11	4×1.80	2012	18	6×2.80	2525	20	6×2.80	3030	25	8×3.30	4040	40	12×3.30	5050	60	18×4.40		
	12	4×1.80		19	6×2.80		22	6×2.80		28	8×3.30		30	10×3.30		42	12×3.30	65	18×4.40
	14	5×2.30		20	6×2.80		24	8×3.30		32	10×3.30		35	10×3.30		45	14×3.80	70	20×4.90
	16	5×2.30		22	6×2.80		25	8×3.30		38	10×3.30		48	14×3.80		75	20×4.90	80	22×5.40
	18	6×2.80		24	8×3.30		28	8×3.30		40	12×3.30		50	14×3.80		85	22×5.40	90	25×5.40
	19	6×2.80		25	8×3.30		30	8×3.30		42	12×3.30		55	16×4.30		95	25×5.40	95	25×5.40
	20	6×2.80		28	8×3.30		32	10×3.30		45	14×3.80		60	18×4.40		100	28×6.40	100	28×6.40
	22	6×2.80		30	8×3.30		35	10×3.30		48	14×3.80		65	18×4.40		105	28×6.40	105	28×6.40
	24	8×3.30		38	10×3.30		40	12×3.30		50	16×4.30		70	20×4.90		110	28×6.40	110	28×6.40
	25	8×3.30		40	12×3.30		42	12×2.20		55	16×4.30		75	20×4.90		115	32×7.40	115	32×7.40
	30	10×3.30		44	12×3.30		45	14×3.80		60	18×4.40		80	22×5.40		120	32×7.40	120	32×7.40
1310	14	5×2.30	2012	18	6×2.80	2517	20	6×2.80	3020	25	8×3.30	3535	40	12×3.30	4545	60	18×4.40		
	16	5×2.30		19	6×2.80		22	6×2.80		28	8×3.30		30	10×3.30		42	12×3.30	65	18×4.40
	18	6×2.80		20	6×2.80		24	8×3.30		32	10×3.30		35	10×3.30		45	14×3.80	70	20×4.90
	19	6×2.80		22	6×2.80		25	8×3.30		38	10×3.30		48	14×3.80		75	20×4.90	80	22×5.40
	20	6×2.80		24	8×3.30		28	8×3.30		40	12×3.30		50	14×3.80		85	22×5.40	90	25×5.40
	22	6×2.80		25	8×3.30		30	8×3.30		42	12×3.30		55	16×4.30		95	25×5.40	95	25×5.40
	24	8×3.30		28	8×3.30		32	10×3.30		45	14×3.80		60	18×4.40		100	28×6.40	100	28×6.40
	25	8×3.30		30	8×3.30		35	10×3.30		48	14×3.80		65	18×4.40		105	28×6.40	105	28×6.40
	28	8×3.30		38	10×3.30		40	12×3.30		50	16×4.30		70	20×4.90		110	28×6.40	110	28×6.40
	30	10×3.30		40	12×3.30		42	12×2.20		55	16×4.30		75	20×4.90		115	32×7.40	115	32×7.40
	32	10×3.30		44	12×3.30		45	14×3.80		60	18×4.40		80	22×5.40		120	32×7.40	120	32×7.40



