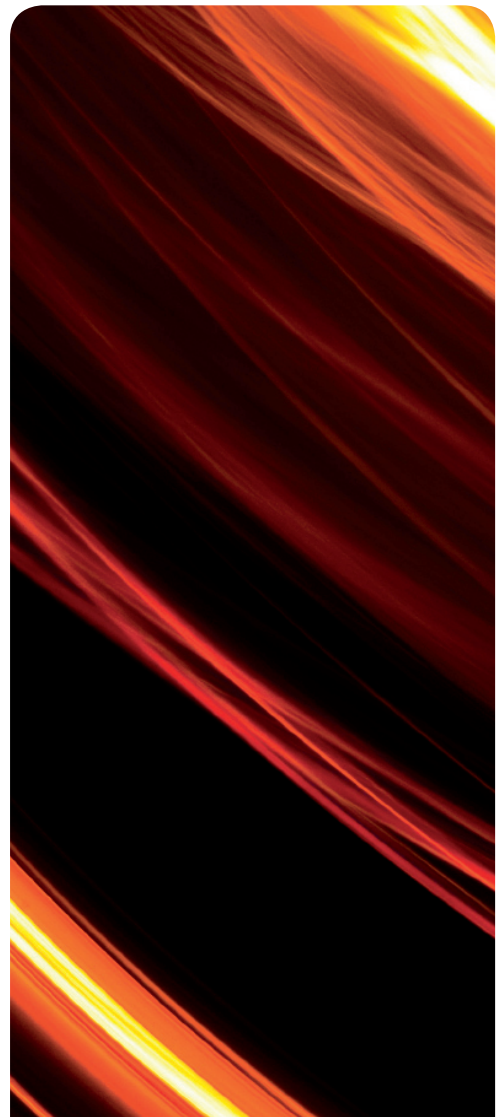


# EG SERIES TEFC L.V. MOTORS

Frame size: 400mm ~ 450mm

Power: 160kW ~ 560kW



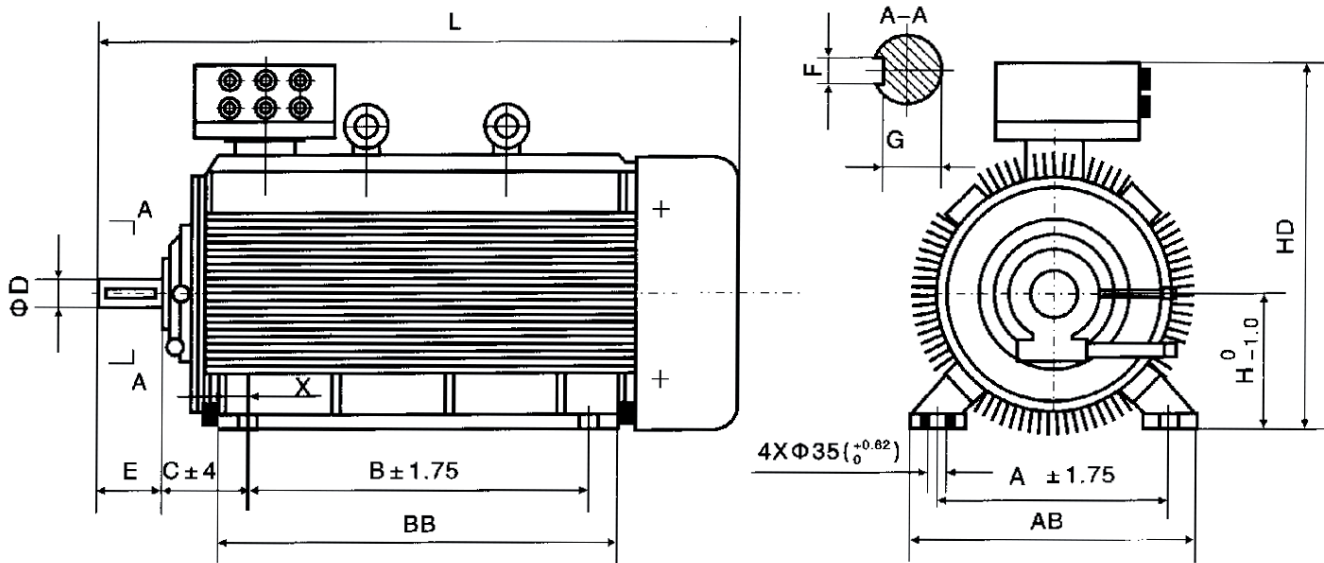
## BRIEF DESCRIPTION

**EG series TEFC** three phase asynchronous motor (center height from 400mm to 450mm).  
The protection degree of the motor is of IP44/54 and the cooling method is of IC411.

The motor has such advantage as high efficiency, energy saving, low noise, lower vibration, light weight and reliable performance.

The structure and mounting type is of IMB3 with continuous duty (S1). The rated frequency is 50Hz and the rated voltage is 380V. Other voltage requirements or special requirements should be negotiate with us before order is placed.

## MOUNTING AND OUTLINE DIMENSION



Frame	Pole	Mounting Dimension (mm)							Oontour Dimension (mm)						
		A	B	C	D	E	F	G	H	HD	L	BB	AB	X	
400	4~10	710	1000	280	Φ110m6	+0.035	210	28	100	400	1200	2200	1200	870	140
						+0.013		-0.052							
450	4	800	1120	280	Φ120m6	+0.035	210	32	109	450	1250	2310	1340	950	121
					+0.013	-0.062									
	6~10						Φ130m6	+0.040	250		119			2350	
				+0.015											

## TECHNICAL DATA (STANDARD VALUE)

Type	Rated power kW	Rated current A	Speed r/min	Efficiency %	Power factor COS $\phi$	Max. torque Rated torque	Locked torque Rated torque	Locked current Rated current	Mass kg	Lubrication Time h				
EG-4001-4	355	634.2	1490	94.5	0.90	1.8	0.8	6.5	2605	2000				
EG-4002-4	400	713.8		94.6										
EG-4003-4	450	802.2		94.7										
EG-4501-4	500	880.6		94.8	0.91									
EG-4502-4	560	985.2		94.9										
EG-4001-6	280	512.6	990	94.3	0.88			1.8	0.8	6.0	2410	3000		
EG-4002-6	315	576.0		94.4										
EG-4003-6	355	648.6		94.5										
EG-4004-6	400	730.0		94.6										
EG-4501-6	450	811.2		94.7	0.89									
EG-4502-6	500	900.4		94.8										
EG-4503-6	560	1007.4		94.9										
EG-4001-8	220	433.6		745	94.0	0.82	1.8			0.8	5.5		2350	3000
EG-4002-8	250	492.2			94.1									
EG-4003-8	280	550.7			94.2									
EG-4004-8	315	618.9	94.3											
EG-4501-8	355	680.9	94.3		0.84									
EG-4502-8	400	766.4	94.4											
EG-4503-8	450	861.3	94.5											
EG-4504-8	500	944.7	94.6											
EG-4001-10	160	324.6	595	93.6	0.80	1.8		0.8	5.5		2480	4000		
EG-4002-10	185	375.0		93.7										
EG-4003-10	200	404.9		93.8										
EG-4501-10	220	445.0		93.9										
EG-4502-10	250	505.1		94.0										
EG-4503-10	280	565.1		94.1										
EG-4504-10	315	635.1		94.2										

**When ordering, the following requirements should be specified**

Motor Type	Mounting Type
Rated Power	Protection Degree
Rated Voltage	Cooling Method
Rated Frequency	Insulation Class
Synchronous Speed	Ambient Condition

**Others**

If you have other requirements, you should be negotiated with us.

The technical characteristics, dimensions and other data in this catalog are not binding.

**Simo Top Group** reserves the right to change at any time and without notice.

[www.simotopgroup.com](http://www.simotopgroup.com)



SIMOTOP GROUP SPA  
Via Ca' Bianca 320  
40024 Castel San Pietro (BO) - Italy  
Tel. +39 051 6951975  
Fax +39 051 941634  
[info@simotopgroup.com](mailto:info@simotopgroup.com)