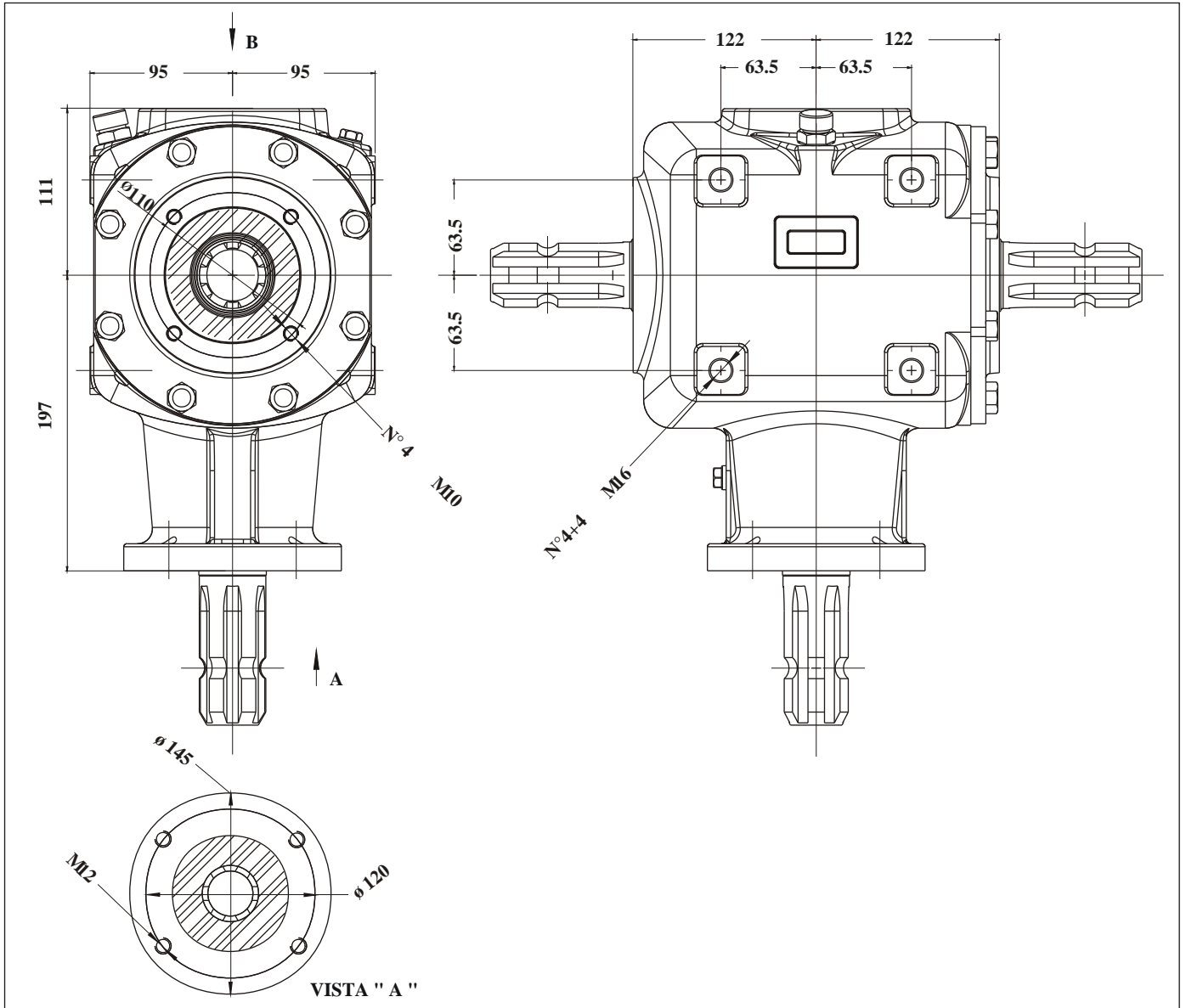
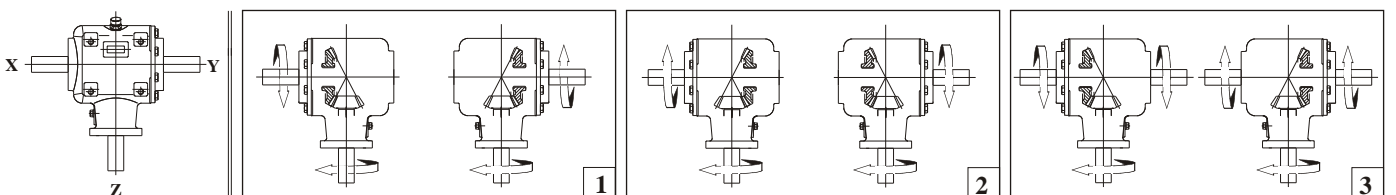


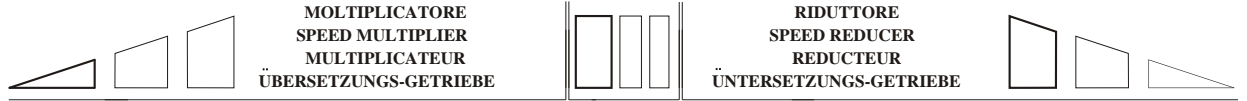
DIMENSIONI - DIMENSION - DIMENSIONS - BAUGROSSEN



	MASSA MASS MASSE	Kg.31
	LUBRIFICANTE LUBRICANT LUBRIFIANT SCHMIERSTOFF	SAE 90 EP 2.4 Lt.

CONFIGURAZIONI - CONFIGURATION - CONFIGURATIONS - BAUFORMEN





Rapporto Ratio Rapport Übers.-verh.	1:3.08		1:2.30		1:1.92		1:1.56		1:1.35		1:1	1.35:1		1.56:1		1.92:1		2.30:1		3.08:1		
Giri - r.p.m. U/min	540	1000	540	1000	540	1000	540	1000	540	1000	540	1000	540	1000	540	1000	540	1000	540	1000	540	1000
Kw	-	-	45	67	52	78	68	102	80	120	90	135	62	95	47	73	32	50	24	37	-	-
HP	-	-	61	91	70	106	92	138	109	163	122	183	84	129	64	99	44	68	33	50	-	-
DaNm	-	-	81	65	93	76	122	99	144	116	162	131	111	92	85	71	58	49	44	36	-	-

DURATA STIMATA A 540 giri/min - ESTIMATED LIFE AT 540 rpm - DUREE DE VIE ESTIMEE A 540 Tours/m - LEBENSDAUER ca. 540 U/min

