

Finished Bore sprockets

For Roller Chains DIN8187-ISO/R606

All sprockets can finished with induction hardened teeth.

This treatment gives a longer lasting life to sprockets.

And with finished bore, keyway and 2 grub

Screws, this eliminates further

modification by customer

and can be fitted

immediately.



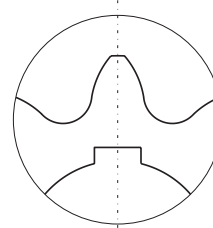
Non-hardened Teeth



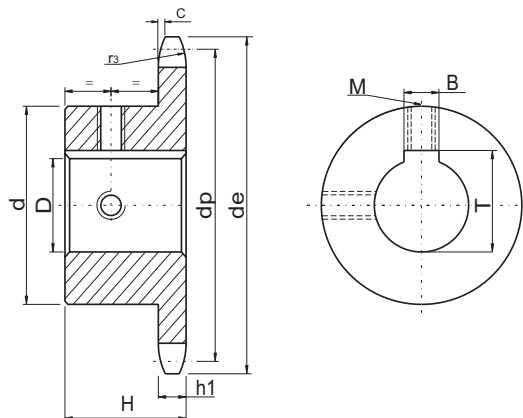
Hardened Teeth

Bore-Keyway-Screws

D(H7)	B(H9)	T	M
10	4	D + 1.8 (+0.1 / 0)	M3
11	4	D + 1.8 (+0.1 / 0)	M3
12	4	D + 1.8 (+0.1 / 0)	M3
14	5	D + 2.3 (+0.1 / 0)	M4
16	5	D + 2.3 (+0.1 / 0)	M4
18	6	D + 2.8 (+0.1 / 0)	M5
19	6	D + 2.8 (+0.1 / 0)	M5
20	6	D + 2.8 (+0.1 / 0)	M5
22	6	D + 2.8 (+0.1 / 0)	M5
24	8	D + 3.3 (+0.2 / 0)	M6
25	8	D + 3.3 (+0.2 / 0)	M6
28	8	D + 3.3 (+0.2 / 0)	M6
30	8	D + 3.3 (+0.2 / 0)	M6
32	10	D + 3.3 (+0.2 / 0)	M8
35	10	D + 3.3 (+0.2 / 0)	M8
38	10	D + 3.3 (+0.2 / 0)	M8
40	12	D + 3.3 (+0.2 / 0)	M10
42	12	D + 3.3 (+0.2 / 0)	M10
45	14	D + 3.8 (+0.2 / 0)	M12
48	14	D + 3.8 (+0.2 / 0)	M12
50	14	D + 3.8 (+0.2 / 0)	M12
60	18	D + 4.4 (+0.2 / 0)	M12
65	18	D + 4.4 (+0.2 / 0)	M12
70	20	D + 4.9 (+0.2 / 0)	M12



Keyway is located on center line of tooth.



Finished Bore Sprockets European Standard Series



06B-1

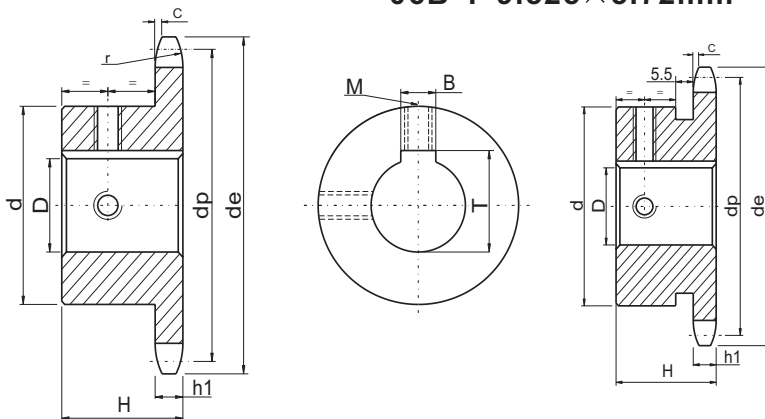
3/8" × 7/32"

3/8" × 7/32"

CHAIN:
Pitch 9.525
Internal width 5.72
Roller ϕ 6.35

SPROCKETS
Tooth radius r 10
Radius width C 1
Tooth width h_1 5.3

06B-1 9.525 × 5.72mm



Type(*)

Material: C45

z	d _e	d _p	D	H	d
10	34	30.80	10	22	24
			11		26
			12		29
			14		24
11	37	33.8	10	25	24
			12		26
			14		29*
			16		31*
12	40	36.8	10	25	25
			12		26
			14		29
			16		31*
13	43	39.8	10	25	28
			12		29
			14		31
			18		35*
14	46.3	42.8	12	25	31
			14		
			16		
			18		
			19		
15	49.3	45.81	12	25	34
			14		
			16		
			18		
			19		
			20		
			22		
24	38				
16	52.3	48.82	12	28	37
			14		
			16		
			18		
			19		

z	d _e	d _p	D	H	d
16	52.3	48.82	22	16	37
			24		42
			25		
			12		
			14		
17	55.3	51.83	16	28	40
			14		
			16		
			18		
			19		
			20		
18	58.3	54.85	18	28	43
			19		
			20		
			22		
			24		
			25		
			12		
14					
16					
18					
19					
20					
22					
19	61.3	57.87	12	28	45
			14		
			16		
			18		
			19		
			20		
			22		
20	64.3	60.89	12	28	46
			14		
			16		
			18		
			19		
			20		
			22		

z	d _e	d _p	D	H	d
20	64.3	60.89	24	28	46
			25		
			16		
21	68	63.91	18	28	48
			19		
			20		
			22		
			24		
			25		
22	71	66.93	16	28	50
			18		
			20		
			22		
			24		
23	73.5	69.95	16	28	52
			18		
			19		
			20		
			22		
			24		
24	77	72.97	16	28	54
			18		
			19		
			20		
			22		
			24		
			25		
25	80	76	16	28	57
			18		
			19		
			20		
			22		
			24		

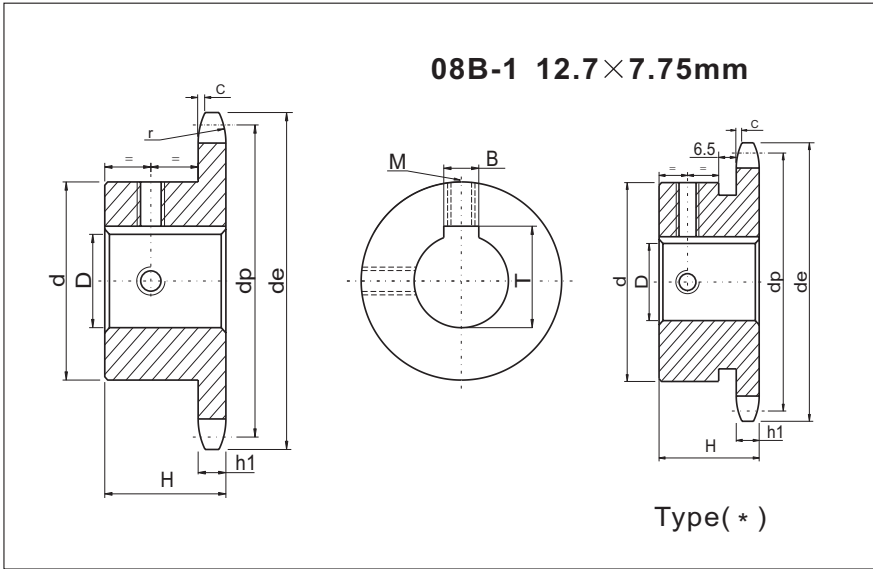
Finished Bore Sprockets European Standard Series



08B-1

1/2" × 5/16"

1/2" × 5/16"	
CHAIN:	ISO
Pitch	mm 12.7
Internal width	7.75
Roller Φ	8.51
SPROCKETS	
Tooth radius r	13
Radius width C	1.3
Tooth width h_1	7.2



Material: C45

Z	d _e	d _p	D	H	d
10	45.2	41.1	12	25	26
			14		29
			16		31
			18		33
11	48.7	45.07	12	25	29
			14		31
			16		34
			18		35
			19		35
12	53	49.07	12	28	33
			14		35
			16		36
			18		38
			19		41*
			20		42*
			22		42*
			24		42*
13	57.4	53.06	12	28	37
			14		42
			16		45*
			18		45*
			19		45*
			20		45*
			22		45*
			24		45*
			25		45*
			28		45*
14	61.8	57.07	12	28	41
			14		45
			16		45
			18		45
			19		45
			20		45
			22		45
			24		45
			25		45
			28		45
15	65.5	61.09	12	28	45
			14		45
			16		45
			18		45
			19		45
			20		45
			22		45
			24		45
			25		45
			28		45
16	69.5	65.1	12	28	50
			14		53
			16		53
			18		53
			19		53
			20		53
			22		53
			24		53
			25		53
			28		53
17	73.6	69.11	12	28	52
			14		56
			16		56
			18		56
			19		56
			20		56
			22		56
			24		56
			25		56
			28		56
18	77.8	73.14	12	28	56
			14		60
			16		60
			18		60
			19		60
			20		60
			22		60
			24		60
			25		60
			28		60
19	81.7	77.16	12	28	60
			14		64
			16		64
			18		64
			19		64
			20		64
			22		64
			24		64
			25		64
			28		64
20	85.8	81.19	12	28	64
			14		70
			16		70
			18		70
			19		70
			20		70
			22		70
			24		70
			25		70
			28		70
21	89.7	85.22	12	28	68
			14		74
			16		74
			18		74
			19		74
			20		74
			22		74
			24		74
			25		74
			28		74
22	93.8	89.24	12	28	70
			14		78
			16		78
			18		78
			19		78
			20		78
			22		78
			24		78
			25		78
			28		78
23	98.2	93.27	12	28	70
			14		80
			16		80
			18		80
			19		80
			20		80
			22		80
			24		80
			25		80
			28		80
24	101.8	97.29	12	28	70
			14		82
			16		82
			18		82
			19		82
			20		82
			22		82
			24		82
			25		82
			28		82
25	105.8	101.33	12	28	70
			14		84
			16		84
			18		84
			19		84
			20		84
			22		84
			24		84
			25		84
			28		84

Finished Bore Sprockets European Standard Series



10B-1

5/8" × 3/8"

5/8" × 3/8"

CHAIN:

Pitch ISO mm 15.875

Internal width 9.65

Roller ϕ 10.16

SPROCKETS

Tooth radius r 16

Radius width C 1.6

Tooth width h_1 9.1

10B-1 15.875 × 9.65mm

Type(*)

Material: C45

Z	d _e	d _p	D	H	d	Z	d _e	d _p	D	H	d	Z	d _e	d _p	D	H	d	Z	d _e	d _p	D	H	d																				
10	57.5	51.37	16	25	35	15	83	76.36	20	30	57	19	103.3	96.45	22	30	70	22	118	111.55	35	30	80																				
			19						22						24						25			28	30	32	35	38	40	42	19	20	22	24	25	28	30	32	35	38	40	42	
			20						24						25						28			30	32	35	38	40	42	19	20	22	24	25	28	30	32	35	38	40	42		
			24						25						28						30			32	35	38	40	42	19	20	22	24	25	28	30	32	35	38	40	42			
			42*						42						45						44			47	49	51	47	49	51	47	49	51	47	49	51	47	49	51	47	49	51	47	49
11	63	56.34	16	30	37	16	88	81.37	20	30	60	20	108.4	101.49	22	30	75	23	123.4	116.58	30	30	80																				
			18						22						24						25			28	30	32	35	38	40	42	19	20	22	24	25	28	30	32	35	38	40	42	
			19						20						22						24			25	28	30	32	35	38	40	42	19	20	22	24	25	28	30	32	35	38	40	42
			20						22						24						25			28	30	32	35	38	40	42	19	20	22	24	25	28	30	32	35	38	40	42	
			24						25						28						30			32	35	38	40	42	19	20	22	24	25	28	30	32	35	38	40	42	19	20	22
12	68	61.34	16	30	42	17	93	86.39	20	30	60	21	113.4	106.52	22	30	75	24	128.3	121.62	28	30	80																				
			18						22						24						25			28	30	32	35	38	40	42	19	20	22	24	25	28	30	32	35	38	40	42	
			19						20						22						24			25	28	30	32	35	38	40	42	19	20	22	24	25	28	30	32	35	38	40	42
			20						22						24						25			28	30	32	35	38	40	42	19	20	22	24	25	28	30	32	35	38	40	42	
			24						25						28						30			32	35	38	40	42	19	20	22	24	25	28	30	32	35	38	40	42	19	20	22
13	73	66.32	16	30	47	18	98.3	91.42	20	30	70	22	118	111.55	22	30	80	25	134	126.66	30	30	80																				
			18						22						24						25			28	30	32	35	38	40	42	19	20	22	24	25	28	30	32	35	38	40	42	
			19						20						22						24			25	28	30	32	35	38	40	42	19	20	22	24	25	28	30	32	35	38	40	42
			20						22						24						25			28	30	32	35	38	40	42	19	20	22	24	25	28	30	32	35	38	40	42	
			24						25						28						30			32	35	38	40	42	19	20	22	24	25	28	30	32	35	38	40	42	19	20	22
14	78	71.34	16	30	52	19	103.3	96.45	20	30	70	22	118	111.55	22	30	80	25	134	126.66	30	30	80																				
			18						22						24						25			28	30	32	35	38	40	42	19	20	22	24	25	28	30	32	35	38	40	42	
			19						20						22						24			25	28	30	32	35	38	40	42	19	20	22	24	25	28	30	32	35	38	40	42
			20						22						24						25			28	30	32	35	38	40	42	19	20	22	24	25	28	30	32	35	38	40	42	
			24						25						28						30			32	35	38	40	42	19	20	22	24	25	28	30	32	35	38	40	42	19	20	22
15	83	76.36	16	30	57	20	103.3	96.45	20	30	70	22	118	111.55	22	30	80	25	134	126.66	30	30	80																				
			18						22						24						25			28	30	32	35	38	40	42	19	20	22	24	25	28	30	32	35	38	40	42	
			19						20						22						24			25	28	30	32	35	38	40	42	19	20	22	24	25	28	30	32	35	38	40	42
			20						22						24						25			28	30	32	35	38	40	42	19	20	22	24	25	28	30	32	35	38	40	42	
			24						25						28						30			32	35	38	40	42	19	20	22	24	25	28	30	32	35	38	40	42	19	20	22

Finished Bore Sprockets European Standard Series

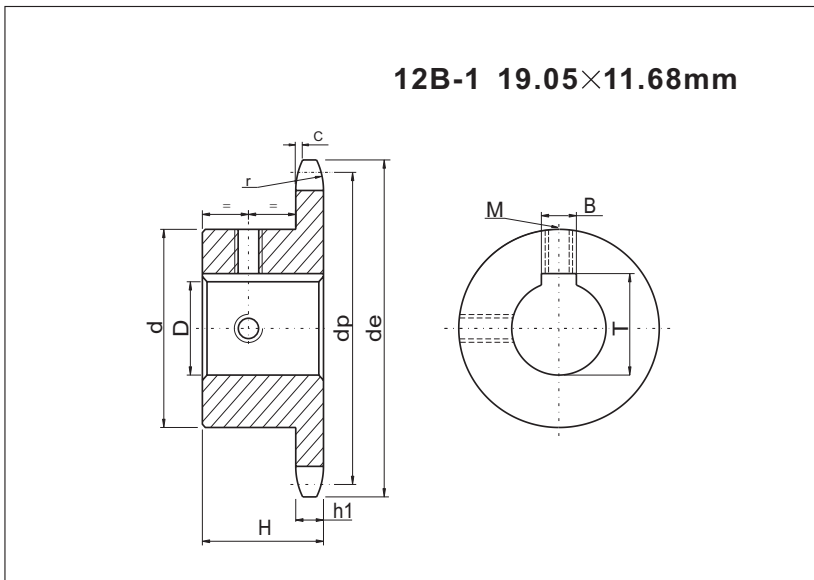


12B-1

3/4" × 7/16"

3/4" × 7/16"

CHAIN:	ISO
	mm
Pitch	19.05
Internal width	11.68
Roller ϕ	12.07
SPROCKETS	
Tooth radius r	19
Radius width C	2
Tooth width h_1	11.1



Material: C45

Z	d _e	d _p	D	H	d
10	69	61.64	19	30	42
			20		
			24		
			25		
			28		
			30		
			32		
11	75	67.61	19	35	48
			20		
			24		
			25		
			28		
			30		
			32		
12	81.5	73.6	19	35	52
			20		
			22		
			24		
			25		
			28		
			30		
13	87.5	79.59	19	35	58
			20		
			22		
			24		
			25		
			28		
			30		
14	93.6	85.61	19	35	64
			20		
			22		
			24		
			25		
			28		
			30		

Z	d _e	d _p	D	H	d
14	93.6	85.61	32	35	64
			35		
			38		
			40		
			19		
			20		
			22		
15	99.8	91.63	24	35	70
			25		
			28		
			30		
			32		
			35		
			38		
16	105.5	97.65	28	35	75
			30		
			32		
			35		
			38		
			40		
			19		
17	111.5	103.67	25	35	80
			28		
			30		
			32		
			35		
			38		
			40		
18	118	109.71	25	35	80
			28		
			30		
			32		
			35		
			38		
			40		

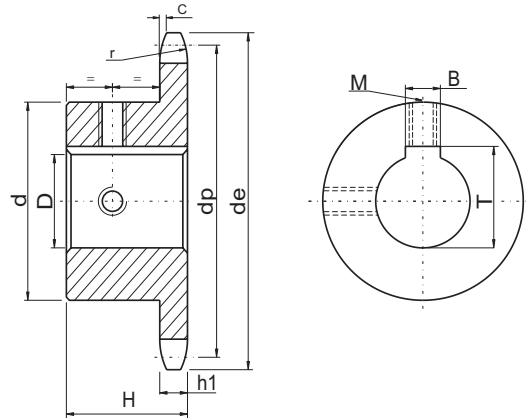
Z	d _e	d _p	D	H	d
18	118	109.71	40	35	80
			42		
			25		
			28		
			30		
			32		
			35		
19	124.2	115.75	38	35	80
			40		
			42		
			45		
			48		
			50		
			25		
20	129.7	121.78	35	35	80
			38		
			40		
			42		
			45		
			48		
			50		
21	136	127.82	25	35	90
			28		
			30		
			32		
			35		
			38		
			40		
22	141.8	133.86	25	40	90
			28		
			30		
			32		
			35		
			38		
			40		

Z	d _e	d _p	D	H	d
22	141.8	133.86	38	40	90
			40		
			42		
			45		
			48		
			50		
			25		
23	149	139.9	28	40	90
			30		
			32		
			35		
			38		
			40		
			42		
24	153.9	145.94	25	40	90
			28		
			30		
			32		
			35		
			38		
			40		
25	160	152	25	40	90
			28		
			30		
			32		
			35		
			38		
			40		

1" × 17.02

CHAIN:	ISO
	mm
Pitch	25.4
Internal width	17.02
Roller ϕ	15.88
 SPROCKETS	
Tooth radius r	26
Radius width C	2.5
Tooth width h_1	16.2

16B-1 25.4 × 17.02mm



Material: C45

Z	d _e	d _p	D	H	d
11	99.5	90.14	25	40	61
			28		
			30		
			32		
			35		
			38		
			40		
			42		
12	109	98.14	25	40	69
			28		
			30		
			32		
			35		
			38		
			40		
			42		
13	117	106.12	25	40	78
			28		
			30		
			32		
			35		
			38		
			40		
			42		
14	125	114.15	25	40	84
			28		
			30		
			32		
			35		
			38		
			40		
			42		
15	133	122.17	25	40	92
			28		
			30		
			32		
			35		
			38		
			40		
			42		

Z	d _e	d _p	D	H	d					
15	133	122.17	30	40	92					
			32							
			35							
			38							
			40							
			42							
			45							
			48							
			50							
			25			141	130.2	25	45	100
			28							
			30							
32										
35										
38										
40										
42										
45										
48										
50										
17	149	138.22	25	45	100					
			28							
			30							
			32							
			35							
			38							
			40							
			42							
			45							
			48							
			50							
			18			157	146.28	25	45	100
28										
30										
32										
35										
38										
40										
42										
45										
48										
50										

Z	d _e	d _p	D	H	d
18	157	146.28	48	45	100
			50		
			25		
			28		
			30		
			32		
19	165.2	154.33	35	45	100
			38		
			40		
			42		
			45		
			48		
20	173.2	162.38	25	45	100
			28		
			30		
			32		
			35		
			38		
21	181.2	170.43	40	45	110
			42		
			45		
			48		
			50		
			25		
22	189.3	178.48	28	45	110
			30		
			32		
			35		
			38		
			40		

Z	d _e	d _p	D	H	d
22	189.3	178.48	38	50	110
			40		
			42		
			45		
			48		
			50		
23	197.5	186.53	25	50	110
			28		
			30		
			32		
			35		
			38		
24	205.5	194.59	40	50	110
			42		
			45		
			48		
			50		
			25		
25	213.5	202.66	28	50	110
			30		
			32		
			35		
			38		
			40		
			42		
			45		
			48		
			50		

Finished Bore Sprockets European Standard Series

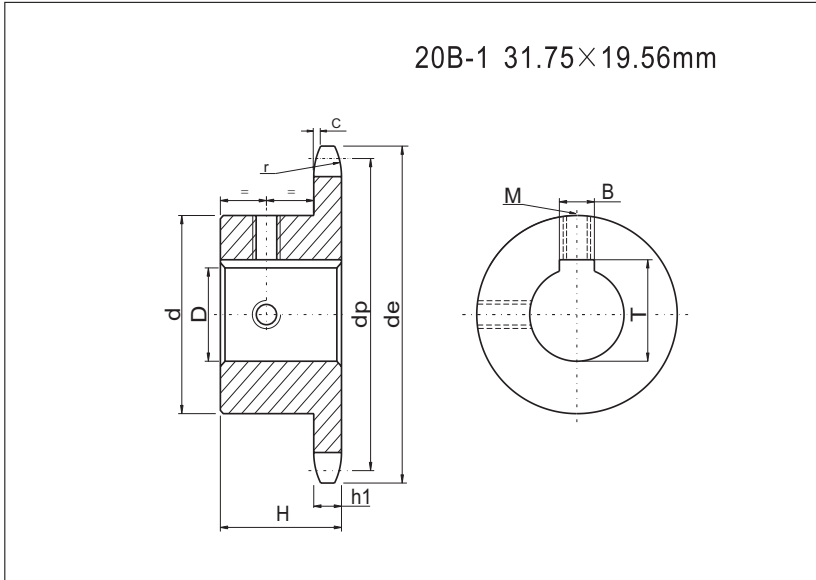


20B-1

1" 1/4 × 3/4"

1" 1/4 × 3/4"

CHAIN:	ISO
	mm
Pitch	31.75
Internal width	19.56
Roller Φ	19.05
SPROCKETS	
Tooth radius r	32
Radius width C	3.5
Tooth width h_1	18.5



Material: C45

Z	d _e	d _p	D	H	d
09	108	92.84	25	40	63
			30		
			32		
			35		
			38		
10	117.9	102.74	25	40	70
			30		
			32		
			35		
11	127.8	112.68	25	45	77
			28		
			30		
			32		
			35		
			38		
			40		
			42		
			45		
			50		
60	93				
12	137.8	122.68	25	45	88
			28		
			30		
			32		
			35		
			38		
			40		
			42		
			45		
			50		
13	147.8	132.65	25	45	98
			28		
			31		

Z	d _e	d _p	D	H	d
13	147.8	132.65	32	45	98
			35		
			38		
			40		
			42		
			45		
			48		
			50		
14	157.8	142.68	32	45	108
			35		
			38		
			40		
			42		
			45		
			48		
			50		
			60		
			15		
35					
38					
40					
42					
45					
48					
50					
16	177.9	162.75	38	50	120
			40		
			42		
			45		
			48		
			50		
			60		
			70		

Z	d _e	d _p	D	H	d
17	187.9	172.78	38	50	120
			40		
			42		
			45		
			48		
			50		
			60		
			65		
18	198	182.85	38	50	120
			40		
			42		
			45		
			48		
			50		
			60		
			65		
19	208.1	192.91	38	50	120
			40		
			42		
			45		
			48		
			50		
			60		
			65		
20	218.1	202.98	38	50	120
			40		
			42		
			45		
			48		
			50		
			60		
			65		
			70		

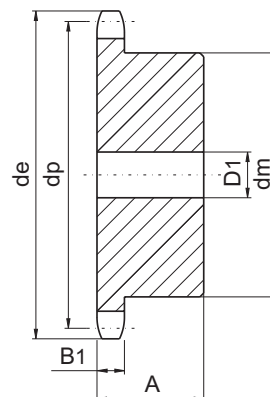
S

tainless Steel sprockets

For Roller Chains DIN 8187-ISO/R 606

Stock Bore

All series of specifications can be sold off-the shelf, immediate delivery. Fast and convenient. Please contact us directly.



Power Transmission Professional

Pitch	Z	12	13	15	16	17	18	19	20	21	23	25	30	
06B 3/8" × 7/32"	de	—	43.0	49.3	52.3	55.3	58.3	61.3	64.3	68.0	73.5	80.0	94.7	
	dp	—	39.79	45.81	48.82	51.83	54.85	57.87	60.89	63.91	69.95	76.00	91.12	
	dm	—	28	34	37	40	43	45	46	48	52	57	60	
	D ₁	—	10	10	10	10	10	10	10	10	12	12	12	12
	A	—	25	25	28	28	28	28	28	28	28	28	28	30
08B 1/2" × 5/16"	de	53.0	57.9	65.9	69.9	74.0	78.0	82.0	86.0	90.1	98.1	106.2	126.3	
	dp	49.07	53.6	61.09	65.10	69.11	73.14	77.16	81.19	85.22	93.27	101.33	121.50	
	dm	33	37	45	50	52	56	60	64	68	70	70	80	
	D ₁	10	10	10	12	12	12	12	12	14	14	14	16	
	A	28	28	28	28	28	28	28	28	28	28	28	28	30
10B 5/8" × 3/8"	de	—	73.0	83.0	88.0	93.0	98.3	103.3	108.4	113.4	123.4	134.0	158.8	
	dp	—	66.32	76.36	81.37	86.39	91.42	96.45	101.49	106.52	116.58	126.66	151.87	
	dm	—	47	57	60	60	70	75	75	80	80	80	90	
	D ₁	—	12	12	12	12	12	14	14	16	16	16	20	
	A	—	30	30	30	30	30	30	30	30	30	30	35	
12B 3/4" × 7/16"	de	—	87.5	99.8	105.5	111.5	118.0	124.2	129.7	136.0	149.0	160.0	—	
	dp	—	79.59	91.63	97.65	103.67	109.71	115.75	121.78	127.82	139.90	152.0	—	
	dm	—	58	70	75	80	80	80	80	90	90	90	—	
	D ₁	—	16	16	16	16	16	16	16	20	20	20	—	
	A	—	35	35	35	35	35	35	35	40	40	40	—	
16B 1" × 17.02	de	—	117.0	133.0	141.0	149.0	157.0	165.2	173.0	181.2	—	—	—	
	dp	—	106.12	122.17	130.20	138.22	146.28	154.33	162.38	170.43	—	—	—	
	dm	—	78	92	100	100	100	100	100	110	—	—	—	
	D ₁	—	16	16	19	20	20	20	20	20	—	—	—	
	A	—	40	40	45	45	45	45	45	50	—	—	—	

SIMPLEX SPROCKETS IN STAINLESS STEEL AISI 304L

Material: **Stainless steel SUS 304 L**

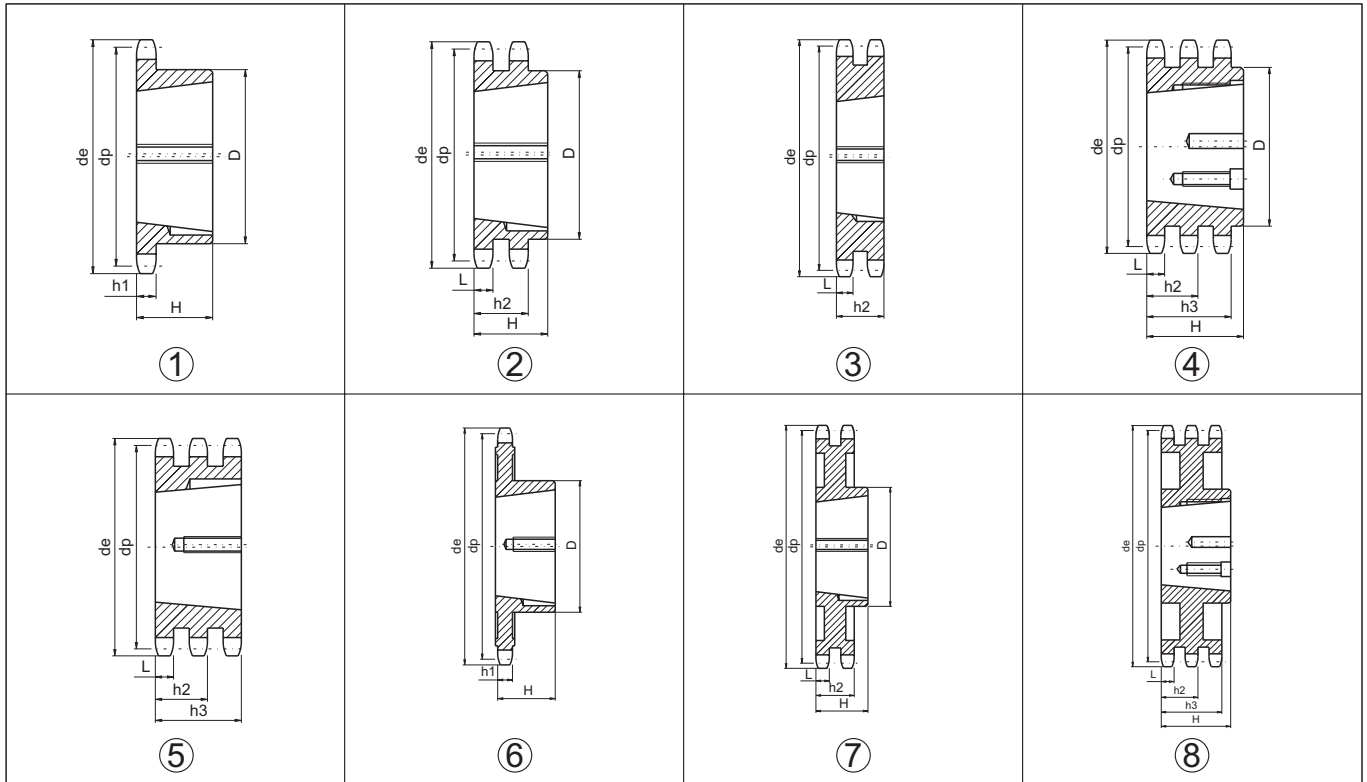
Taper Bore Sprockets

European Standard Series



Taper Bore

For Roller Chains DIN8187-ISO/R 606



3/8" × 7/32"
06B-1-2-3

06B-1-2-3 9.525 × 5.72 mm DIN 8187 ISO/R 606

Steel=C45
*Cast iron=G22
cast iron with black phosphated

CHAIN:	ISO mm
Pitch	9.525
Internal width	5.72
Roller ϕ	6.35

SPROCKETS	ISO mm
Tooth radius r	10
Radius width C	1
Tooth width h_1	5.3
Tooth width L	5.2
Tooth width h_2	15.4
Tooth width h_3	25.6

Z	d_e	d_p	TS				TD				TT			
			D	H	for Bush	Type	D	H	for Bush	Type	D	H	for Bush	Type
17	55.3	51.83	45	22	1008	1	41	22	1008	2	—	25.6	1008	5
19	61.3	57.87	45	22	1008	1	46	22	1008	2	—	25.6	1008	5
21	68.0	63.91	46	22	1008	1	49	22	1008	2	—	25.6	1008	5
23	73.5	69.95	63	25	1210	1	59	25	1210	2	—	25.6	1210	5
25	80.0	76.02	63	25	1210	1	64	25	1210	2	—	25.6	1210	5
27	86.0	82.02	63	25	1210	1	70	25	1210	2	—	25.6	1210	5
30	94.7	91.12	63	25	1210	1	75	25	1210	2	79	38	1615	4
*38	119.5	115.35	70	25	1210	1	80	25	1610	2	90	38	1615	4
*45	140.7	136.55	70	25	1210	1	80	25	1610	2				
*57	176.9	172.91	70	25	1210	6	80	25	1610	7				
*76	234.9	230.49	70	25	1210	6	80	25	1610	7				
*95	292.5	288.08	80	25	1210	6	90	25	1610	7				
*114	349.5	345.68	80	25	1210	6	95	38	1615	7				

Taper Bore Sprockets

European Standard Series



1/2" × 5/16"
08B-1-2-3

08B-1-2-3 12.7×7.75 mm DIN 8187 ISO/R 606

Steel=C45
*Cast iron=G22

cast iron with black phosphated

CHAIN:	ISO mm
Pitch	12.7
Internal width	7.75
Roller φ	8.51

SPROCKETS	ISO mm
Tooth radius r	13
Radius width C	1.3
Tooth width h ₁	7.2
Tooth width L	7
Tooth width h ₂	21
Tooth width h ₃	34.9

Z	d _e	d _p	TS				TD				TT			
			D	H	for Bush	Type	D	H	for Bush	Type	D	H	for Bush	Type
15	65.5	61.9	45	22	1008	1	46	22	1008	2	—	34.9	1008	5
17	73.6	69.11	60	25	1210	1	56	25	1210	2	—	34.9	1210	5
19	81.7	77.16	63	25	1210	1	62	25	1210	2	—	34.9	1210	5
21	89.7	85.22	71	25	1610	1	70	25	1610	2	—	34.9	1610	5
23	98.2	93.27	76	25	1610	1	79	25	1610	2	—	34.9	1610	5
25	105.8	101.33	76	25	1610	1	87	32	2012	2	—	34.9	2012	5
27	114.0	109.40	76	25	1610	1	87	32	2012	2	—	34.9	2012	5
30	126.1	121.50	90	32	2012	1	87	32	2012	2	—	34.9	2012	5
38	158.6	153.80	90	32	2012	1	100	32	2012	2	—	34.9	2012	5
*45	188.0	182.07	100	32	2012	1	100	32	2012	2	—	34.9	2012	5
*57	236.4	230.54	100	32	2012	6	100	32	2012	7	—	34.9	2012	5
*76	313.3	307.33	100	32	2012	6	100	32	2012	7	—	34.9	2012	5
*95	390.1	384.11	100	32	2012	6	100	32	2012	7	—	34.9	2012	5
*114	466.9	460.90	110	45	2517	6	110	45	2517	7	—	34.9	2012	5

5/8" × 3/8"
10B-1-2-3

10B-1-2-3 15.875×9.65 mm DIN 8187 ISO/R 606

Steel=C45
*Cast iron=G22

cast iron with black phosphated

CHAIN:	ISO mm
Pitch	15.875
Internal width	9.65
Roller φ	10.16

SPROCKETS	ISO mm
Tooth radius r	16
Radius width C	1.6
Tooth width h ₁	9.1
Tooth width L	9
Tooth width h ₂	25.5
Tooth width h ₃	42.1

Z	d _e	d _p	TS				TD				TT			
			D	H	for Bush	Type	D	H	for Bush	Type	D	H	for Bush	Type
13	73.0	66.32	47	22	1008	1	—	25.5	1210	3	—	42.1	1210	5
15	83.0	76.36	60	25	1210	1	—	25.5	1610	3	—	42.1	1210	5
17	93.0	86.36	71	25	1610	1	—	25.5	1610	3	—	42.1	1615	5
19	103.3	96.45	75	25	1610	1	—	25.5	1610	3	—	42.1	1615	5
21	113.4	106.52	76	25	1610	1	—	25.5	1610	3	—	42.1	1615	5
23	123.4	116.58	76	25	1610	1	—	25.5	1610	3	—	42.1	2012	5
25	134.0	126.66	90	32	2012	1	90	32	2012	2	105	45	2517	4
27	144.0	136.75	90	32	2012	1	90	32	2012	2	110	45	2517	4
30	158.8	151.87	90	32	2012	1	90	32	2012	2	120	45	2517	4
38	199.2	192.24	100	32	2012	1	—	—	—	—	—	—	—	—
45	235.0	227.58	100	32	2012	6	—	—	—	—	—	—	—	—
*57	296.0	288.18	100	32	2012	6	—	—	—	—	—	—	—	—
*76	392.1	384.16	100	32	2012	6	—	—	—	—	—	—	—	—
*95	488.5	480.14	110	45	2517	6	—	—	—	—	—	—	—	—
*114	584.1	576.13	110	45	2517	6	—	—	—	—	—	—	—	—

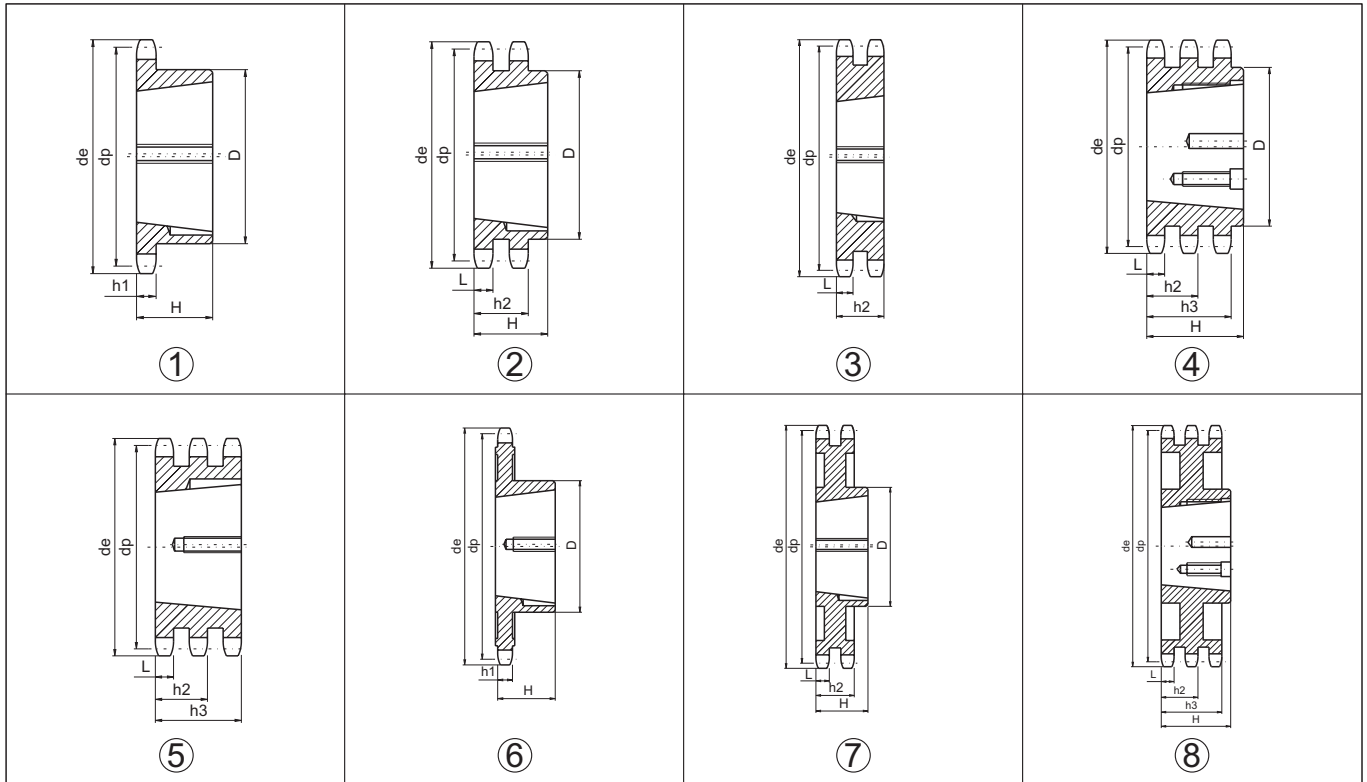
Taper Bore Sprockets

European Standard Series



Taper Bore

For Roller Chains DIN8187-ISO/R 606



3/4" × 7/16"
12B-1-2-3

12B-1-2-3 19.05×11.68mm DIN 8187 ISO/R 606

Steel=C45
*Cast iron=G22
cast iron with black phosphated

CHAIN:	ISO mm
Pitch	19.05
Internal width	11.68
Roller ϕ	12.07

SPROCKETS	ISO mm
Tooth radius r	19
Radius width C	2
Tooth width h_1	11.1
Tooth width L	10.8
Tooth width h_2	30.3
Tooth width h_3	49.8

Z	d_e	d_p	TS				TD				TT					
			D	H	for Bush	Type	D	H	for Bush	Type	D	H	for Bush	Type		
13	87.5	79.59	60	25	1210	1	—	—	—	—	—	—	—	—	—	—
15	99.8	91.63	70	25	1610	1	—	30.3	1610	3	—	49.8	1615	5	—	—
17	111.5	103.67	76	25	1610	1	—	30.3	1610	3	—	49.8	1615	5	—	—
19	124.2	115.75	90	32	2012	1	90	32	2012	2	—	49.8	2012	5	—	—
21	136.0	127.82	102	45	2517	1	108	45	2517	2	—	49.8	2517	5	—	—
23	149.0	139.90	108	45	2517	1	108	45	2517	2	—	49.8	2517	5	—	—
25	160.0	152.00	108	45	2517	1	108	45	2517	2	—	49.8	2517	5	—	—
27	172.3	164.00	108	45	2517	1	108	45	2517	2	140	51	3020	4	—	—
30	190.5	182.25	108	45	2517	1	108	45	2517	2	140	51	3020	4	—	—
38	239.0	230.69	108	45	2517	1	140	51	3020	2	140	51	3020	4	—	—
45	282.5	273.10	108	45	2517	6	140	51	3020	7	140	51	3020	8	—	—
*57	355.4	345.81	108	45	2517	6	140	51	3020	7	140	51	3020	8	—	—
*76	469.9	460.99	108	45	2517	6	140	51	3020	7	140	51	3020	8	—	—
*95	585.1	576.17	108	45	2517	6	140	51	3020	7	140	76	3030	8	—	—
*114	700.6	691.36	108	64	2525	6	140	76	3030	7	140	76	3030	8	—	—

Taper Bore Sprockets

European Standard Series



1" × 17.02 mm
16B-1-2-3

16B-1-2-3 25.4×17.2 mm DIN 8187 ISO/R 606

Steel=C45
*Cast iron=G22

cast iron with black phosphated

CHAIN:	ISO mm
Pitch	25.4
Internal width	17.02
Roller φ	15.88

SPROCKETS	ISO mm
Tooth radius r	26
Radius width C	2.5
Tooth width h ₁	16.2
Tooth width L	15.8
Tooth width h ₂	47.7
Tooth width h ₃	79.6

Z	d _e	d _p	TS				TD				TT			
			D	H	for Bush	Type	D	H	for Bush	Type	D	H	for Bush	Type
13	117.0	106.12	73	38	1615	1	—	47.7	2012	3	—	79.6	2517	5
15	133.0	122.17	76	38	1615	1	—	47.7	2517	3	—	79.6	3030	5
17	149.0	138.22	90	32	2012	1	—	47.7	2517	3	—	79.6	3030	5
19	165.2	154.33	108	45	2517	1	140	51	3020	2	159	89	3535	4
21	181.2	170.43	110	45	2517	1	140	51	3020	2	175	89	3535	4
23	197.5	186.53	110	45	2517	1	140	51	3020	2	175	89	3535	4
25	213.5	202.66	110	45	2517	1	140	51	3020	2	175	89	3535	4
27	229.6	218.79	110	45	2517	1	140	51	3020	2	175	89	3535	4
30	254.0	243.00	140	51	3020	1	140	76	3030	2	175	89	3535	4
38	320.7	307.59	140	51	3020	1	140	76	3030	2	215	102	4040	8
45	377.1	364.13	140	51	3020	6	175	89	3535	7	215	102	4040	8
* 57	474.0	461.07	140	51	3020	6	175	89	3535	7	215	102	4040	8
* 76	627.0	614.65	140	51	3020	6	215	102	4040	7	215	102	4040	8
* 95	781.1	768.22	140	51	3020	6	215	102	4040	7	215	102	4040	8
*114	934.3	921.81	140	76	3020	6	215	102	4040	7	260	114	4045	8

1 1/4" × 3/4"
20B-1-2-3

20B-1-2-3 31.75×19.56 m m DIN 8187 ISO/R 606

Steel=C45
*Cast iron=G22

cast iron with black phosphated

CHAIN:	ISO mm
Pitch	31.75
Internal width	19.56
Roller φ	19.05

SPROCKETS	ISO mm
Tooth radius r	32
Radius width C	3.5
Tooth width h ₁	18.5
Tooth width L	18.2
Tooth width h ₂	54.6
Tooth width h ₃	91

Z	d _e	d _p	TS			
			D	H	for Bush	Type
13	147.8	132.65	90	32	2012	1
15	167.9	152.72	108	45	2517	1
17	187.9	172.78	108	45	2517	1
19	208.1	192.91	108	45	2517	1
21	228.2	213.04	108	45	2517	1
23	248.3	233.17	108	45	2517	1
25	268.5	253.33	108	45	2517	1
27	288.6	273.40	150	51	3020	1
30	318.9	303.75	150	51	3020	1
38	399.6	384.49	160	51	3020	6
* 45	470.3	455.17	160	51	3020	6
* 57	591.5	576.36	160	51	3020	6
* 76	783.5	768.32	160	51	3020	6

Cast Iron Sprockets

European Standard Series



Surface phosphated

Stock Bore

Accept OEM purchase.

Material:GG22-GG25

3/8" × 7/32" 06B-1-2-3 Acc.to DIN 8187 ISO/R 606											
Z	d _e	d _p	SIMPLEX			DUPLEX			TRIPLEX		
			d _m	D ₁	A	d _m	D ₂	A	d _m	D ₃	A
38	119.5	115.35	70	20	32	80	20	40	90	24	56
45	140.7	136.55	70	20	32	80	20	40	90	24	56
57	176.9	172.91	70	20	32	80	20	40	90	24	56
76	234.9	230.49	70	20	32	80	20	40	100	24	56
95	292.5	288.08	80	20	40	90	20	45	100	24	56
114	349.6	345.68	80	20	40	95	20	45	100	24	56
150	459.2	454.82	90	24	45	100	24	50	125	24	60

SPROCKETS		mm
Tooth radius r ₃		10
Radius width C		1
Tooth width B ₁		5.3
Tooth width b ₁		5.2
Tooth width B ₂		15.4
Tooth width B ₃		25.6

CHAIN		mm
Pitch		9.525
Internal width		5.72
Roller φ		6.35

1/2" × 5/16" 08B-1-2-3 Acc.to DIN 8187 ISO/R 606											
Z	d _e	d _p	SIMPLEX			DUPLEX			TRIPLEX		
			d _m	D ₁	A	d _m	D ₂	A	d _m	D ₃	A
38	158.6	153.80	70	20	40	90	24	50	100	24	60
45	188.0	182.07	70	20	40	90	24	50	100	24	60
57	236.4	230.54	70	20	40	90	24	50	100	24	60
76	313.3	307.33	80	24	40	100	24	56	100	24	60
95	390.1	384.11	80	24	45	100	24	56	120	24	67
114	466.9	460.90	80	24	45	100	24	63	120	24	67

SPROCKETS		mm
Tooth radius r ₃		13
Radius width C		1.3
Tooth width B ₁		7.2
Tooth width b ₁		7
Tooth width B ₂		21
Tooth width B ₃		34.9

CHAIN		mm
Pitch		12.7
Internal width		7.75
Roller φ		8.51

5/8" × 3/8" 10B-1-2-3 Acc.to DIN 8187 ISO/R 606											
Z	d _e	d _p	SIMPLEX			DUPLEX			TRIPLEX		
			d _m	D ₁	A	d _m	D ₂	A	d _m	D ₃	A
38	199.2	192.24	80	20	40	100	30	50	100	32	60
45	235.0	227.58	80	20	40	100	30	50	100	32	60
57	296.0	288.18	90	24	45	100	30	56	100	32	63
76	392.1	384.16	90	24	50	100	30	63	110	35	67
95	488.5	480.14	100	24	56	110	30	63	125	35	70
114	584.1	576.13	100	24	56	125	30	70	125	35	80

SPROCKETS		mm
Tooth radius r ₃		16
Radius width C		1.6
Tooth width B ₁		9.1
Tooth width b ₁		9
Tooth width B ₂		25.5
Tooth width B ₃		42.1

CHAIN		mm
Pitch		15.875
Internal width		9.65
Roller φ		10.16

3/4" × 7/16" 12B-1-2-3 Acc.to DIN 8187 ISO/R 606											
Z	d _e	d _p	SIMPLEX			DUPLEX			TRIPLEX		
			d _m	D ₁	A	d _m	D ₂	A	d _m	D ₃	A
38	239.0	230.69	100	24	56	110	30	63	140	30	70
45	282.5	273.10	100	24	56	110	30	63	140	30	70
57	354.0	345.81	100	30	56	120	30	63	140	40	70
76	469.9	460.99	100	30	56	135	30	63	160	40	75
95	585.1	576.17	100	30	65	135	30	70	170	40	82
114	700.6	691.36	100	30	65	135	30	70	170	50	82

SPROCKETS		mm
Tooth radius r ₃		19
Radius width C		2
Tooth width B ₁		11.1
Tooth width b ₁		10.8
Tooth width B ₂		30.3
Tooth width B ₃		49.8

CHAIN		mm
Pitch		19.05
Internal width		11.68
Roller φ		12.07

Cast Iron Sprockets


European Standard Series

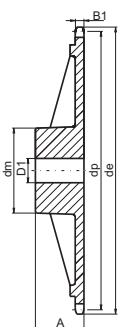


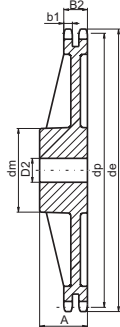
Cast Iron Sprockets

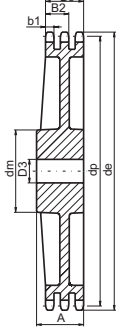
For Roller Chains DIN8187-ISO/R 606

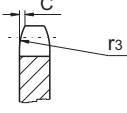
Surface phosphated











Stock Bore

Accept OEM purchase.

Material:GG22-GG25

1"×17.02mm 06B-1-2-3 Acc.to DIN 8187 ISO/R 606

Z	d _e	d _p	SIMPLEX			DUPLEX			TRIPLEX		
			d _m	D ₁	A	d _m	D ₂	A	d _m	D ₃	A
30	254.0	243.00	110	30	65	125	40	75	145	40	90
38	320.0	307.59	110	30	65	140	40	75	160	45	100
45	377.0	364.13	125	30	70	150	40	75	160	45	100
57	474.0	461.08	125	35	70	170	40	90	165	45	100
76	627.0	614.65	140	35	80	175	40	95	200	45	110
95	781.0	768.22	140	40	80	175	45	95	200	50	110
114	933.0	921.81	140	40	80	175	45	95	200	50	115

SPROCKETS		mm
Tooth radius r ₃		26
Radius width C		2.5
Tooth width B ₁		16.2
Tooth width b ₁		15.8
Tooth width B ₂		47.7
Tooth width B ₃		79.6
CHAIN		mm
Pitch		25.4
Internal width		17.02
Roller φ		15.88

1"1/4 × 3/4" 20B-1-2-3 Acc.to DIN 8187 ISO/R 606

Z	d _e	d _p	SIMPLEX			DUPLEX			TRIPLEX		
			d _m	D ₁	A	d _m	D ₂	A	d _m	D ₃	A
30	318.9	303.75	115	35	70	130	40	80	160	50	100
38	399.6	384.49	125	35	70	140	45	90	180	56	110
45	470.3	455.17	125	35	70	140	45	90	180	56	110
57	591.5	576.36	135	40	80	160	50	100	180	60	125
76	783.5	768.32	140	40	90	180	50	100	200	60	140

SPROCKETS		mm
Tooth radius r ₃		32
Radius width C		3.5
Tooth width B ₁		18.5
Tooth width b ₁		18.2
Tooth width B ₂		54.6
Tooth width B ₃		91
CHAIN		mm
Pitch		31.75
Internal width		19.56
Roller φ		19.05

1"1/2 × 1" 24B-1-2-3 Acc.to DIN 8187 ISO/R 606

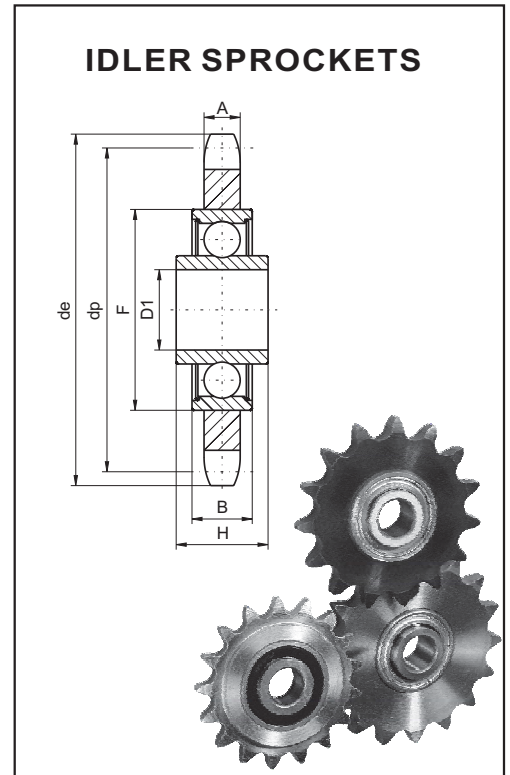
Z	d _e	d _p	SIMPLEX			DUPLEX			TRIPLEX		
			d _m	D ₁	A	d _m	D ₂	A	d _m	D ₃	A
30	379.5	364.50	130	40	85	160	40	95	180	60	150
38	476.2	461.39	140	45	90	180	45	100	200	60	150
45	561.2	546.20	140	45	90	180	45	100	200	60	150
57	706.5	691.63	160	45	100	200	55	110	200	70	150
76	936.9	921.98	170	45	100	220	55	120	250	70	150

SPROCKETS		mm
Tooth radius r ₃		38
Radius width C		4
Tooth width B ₁		24.1
Tooth width b ₁		23.6
Tooth width B ₂		72
Tooth width B ₃		120.3
CHAIN		mm
Pitch		38.1
Internal width		25.4
Roller φ		25.4

Idler Sprockets with Ball Bearing European Standard Series

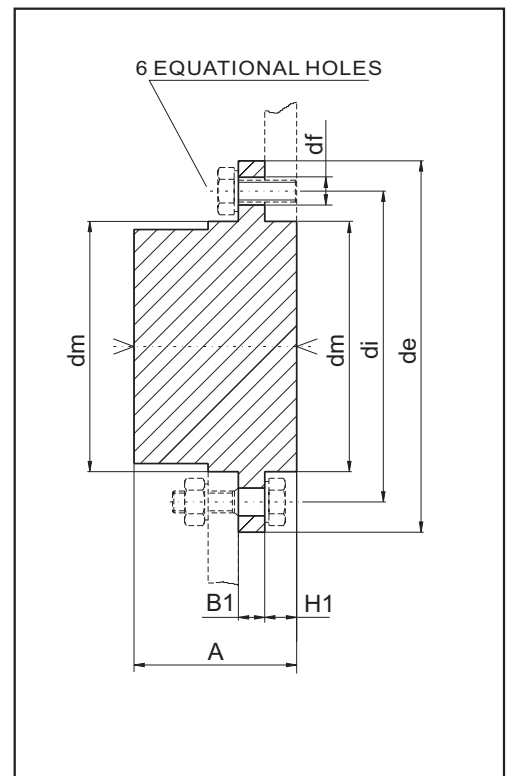


Z	Pitch	de	dp	A	D ₁	F	B	H
23	8×3	62.15	58.75	2.8	16	40	12	18.3
21	3/8"×7/32"	68.0	63.90	5.3	16	40	12	18.3
18	1/2"×1/8"	78.9	73.14	3	16	40	12	18.3
18	1/2"×3/16"	78.9	73.13	4.5	16	40	12	18.3
16	1/2"×5/16"	69.5	65.10	7.2	16	40	12	18.3
18	1/2"×5/16"	77.8	73.14	7.2	16	40	12	18.3
14	5/8"×3/8"	78.0	71.34	9.1	16	40	12	18.3
15	5/8"×3/8"	83.0	76.36	9.1	16	40	12	18.3
17	5/8"×3/8"	93.0	86.39	9.1	16	40	12	18.3
13	3/4"×7/16"	87.5	79.59	11.1	16	40	12	18.3
15	3/4"×7/16"	99.8	91.63	11.1	16	40	12	18.3
12	1"×17.02	109.0	98.14	16.2	20	47	14	17.7
13	1 1/4"×3/4"	147.8	132.65	18.5	25	52	15	21.0



DISASSEMBLING HUBS FOR PLATEWHEELS

Nr.	de	di	d _m ^{hg}	A	D _r	B ₁	H ₁
30	55	45	30	20.0	4.2	4	3.0
40	70	58	40	25.0	5.2	5	5.2
50	80	67	50	32.0	6.2	7	7.0
60	90	76	60	38.5	6.2	7	8.7
70	110	94	70	45.5	8.2	8	10.5
80	130	107	80	55.0	8.2	12	15.0
100	170	140	100	73.0	10.2	17	23.0
140	220	182	140	83.0	12.2	20	23.0
160	245	205	160	93.0	16.5	25	25.0



Double Sprockets for Two Single Chains

European Standard Series



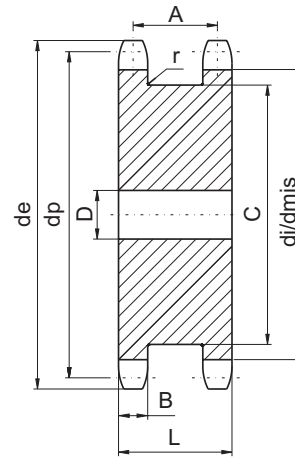
For roller chains **DIN 8187 ISO/R 606**

Double Simplex



Stock Bore

Accept OEM purchase.



Type	Z	d _e	d _p	d _i	d _{mis}	D	A	B h14	C _{max}	L
3/8" × 7/32" R6.35 06B-1	13	43	39.80	33.45	33.16	10	20.3	5.3	28	25.5
	15	49.3	45.81	39.46	39.21	10	20.3	5.3	34	25.5
	17	55.3	51.84	45.49	45.27	12	20.3	5.3	40	25.5
	19	61.3	57.87	51.52	51.32	12	20.3	5.3	46	25.5
	21	68	63.91	57.56	57.38	15	20.3	5.3	52	25.5
	23	73.5	69.95	63.60	63.44	15	20.3	5.3	59	25.5
25	80	76.00	69.65	69.50	15	20.3	5.3	65	25.5	
1/2" × 5/16" R8.51 08B-1	13	57.4	53.07	44.56	44.17	10	24.8	7.2	37	32
	15	65.5	61.08	52.57	52.24	10	24.8	7.2	45	32
	17	73.6	69.12	60.61	60.31	12	24.8	7.2	53	32
	19	81.7	77.16	68.65	68.39	12	24.8	7.2	62	32
	21	89.7	85.21	76.71	76.46	15	24.8	7.2	70	32
	23	98.2	93.27	84.76	84.54	15	24.8	7.2	78	32
25	105.8	101.33	92.82	92.62	15	24.8	7.2	86	32	
5/8" × 3/8" R10.16 10B-1	13	73	66.33	56.17	55.69	15	27.9	9.1	48	37
	15	83	76.35	66.19	65.78	15	27.9	9.1	58	37
	17	93	86.39	76.23	75.87	15	27.9	9.1	68	37
	19	103.3	96.45	86.29	85.96	19	27.9	9.1	79	37
	21	113.4	106.51	96.35	96.06	19	27.9	9.1	89	37
	23	123.4	116.59	106.43	106.15	19	27.9	9.1	99	37
25	134	126.66	116.50	116.25	19	27.9	9.1	109	37	
3/4" × 7/16" R12.07 12B-1	13	87.5	79.60	67.53	66.95	20	33.9	11.1	59	45
	15	99.8	91.63	79.56	79.05	20	33.9	11.1	71	45
	17	111.5	103.67	91.60	91.18	20	33.9	11.1	83	45
	19	124.2	115.74	103.67	103.27	20	33.9	11.1	95	45
	21	136	127.82	115.75	115.39	24	33.9	11.1	107	45
	23	149	139.90	127.83	127.51	24	33.9	11.1	119	45
25	160	151.99	139.92	139.62	24	33.9	11.1	131	45	
1" × 17.02 R15.88 16B-1	13	117	106.14	90.26	89.48	24	47.8	16.2	78	64
	15	133	122.17	106.29	105.62	24	47.8	16.2	95	64
	17	149	138.23	122.35	121.76	24	47.8	16.2	111	64
	19	165.2	154.32	138.44	137.91	24	47.8	16.2	127	64
	21	181.2	170.42	154.54	154.06	24	47.8	16.2	143	64